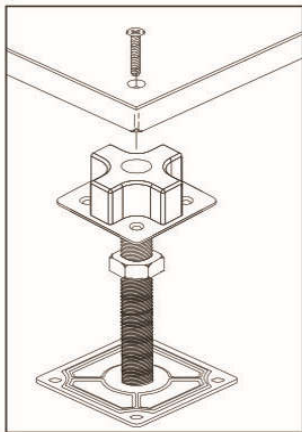
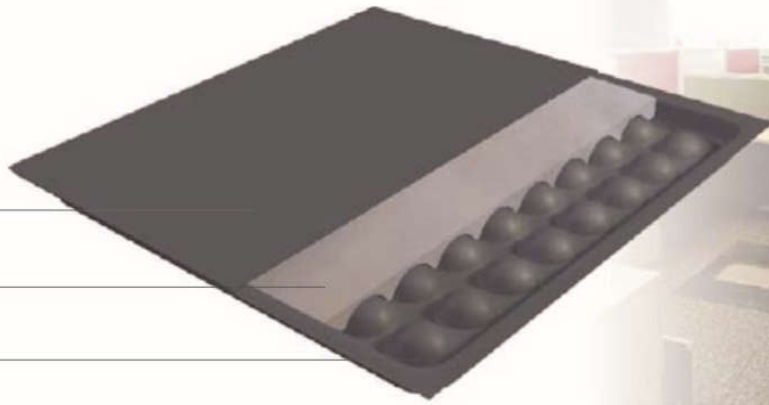


RAISED FLOOR SYSTEM

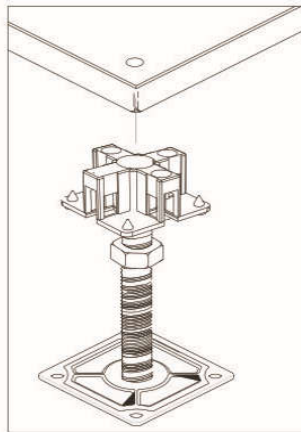
SPPCsteel

Lightcement

ST14steel



CORNERLOCKSYSTEM



SNAP-ONSTRINGERSYSTEM



Structure

- Screw down design supports the system effectively and makes the installation easily and stable.
- The load is transferred directly onto the center of pedestal column.
- Different types of understructures are available for install JS601 panel system.



Technical Specification

Linfloor™ JS601 Bare Finish Raised Access flooring System

Type	Panel Size	System Weight	Impact	Dynamic	Concentrated	Ultimate	Uniform	U-UDL	Rolling Load		
		Kg/M ²	Load Kg	Load Kn	Load Kn	Load Kn	Kn/M ²	Kn/M ²	10 (N)	10K(N)	
Bare					With Deflection 2.5mm ²					Passes	Passes
U800	600×600×33-35mm	~39	50	3	3.6	10.8	≥16.5	28.8	3550	2670	
U1000		~41	50	4.5	4.5	13.5	≥19.79	45	4450	3550	
U1250		~44	60	5.5	5.7	17.1	≥25.39	60	5560	4450	
U1500		~47	75	6.5	6.8	20.4	≥33.08	78	6670	5340	
U2000		~50	90	7.5	7.5	9.1	27.3	≥49.58	106	8900	8010
Testing Qualifications	CISCA 1986/87, MOBPF2 PS/SPU1992,BS EN 12825-2001,SJ/T10796-2001,PSB.										
Safety Factors*(min 2.0)	3 (PASS)										
Understructure	Corner lock										
Fire Protection	Non Combustible										

STEEL
CEMENTITIOUS
PANEL



JS601 Bare Finish Raised Access flooring System



Structure

JS 601 panel is made of steel plate, top to be SPCC material, bottom to be ST14 material, after pan formed and joined together by resistance welding, the panel is coated with epoxy paint, then infilled with light cement.

Feature

Embossment structural. Enhance the concentrated load capability.

Size

600×600×33mm

